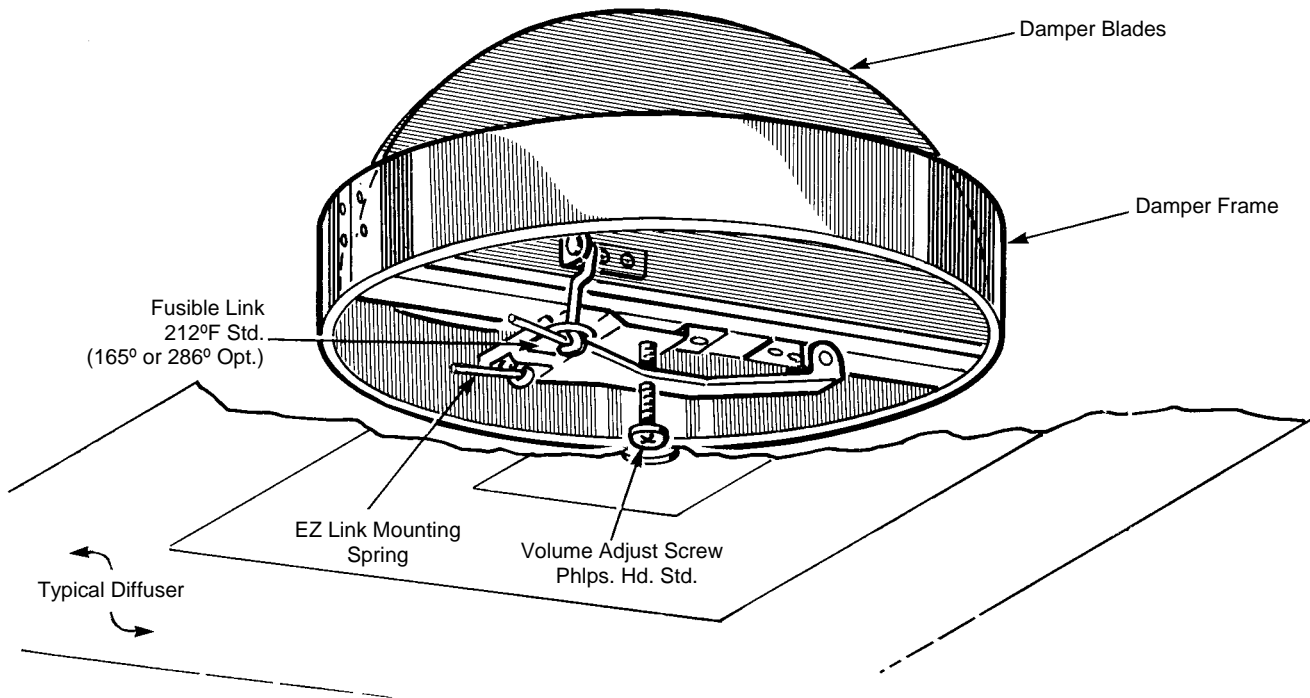




Rated per UL 555C, UL File R7365  
for use in rated ceiling assemblies

## Supplementary Submittal For 5600 Series Butterfly Radiation Dampers Model 5965 Volume Control Device

The fusible link is a standard type fire link in this uniquely designed volume control device. It has been specifically tested, rated, and listed to have the required operation from any volume control set position.



### 5965 VOLUME CONTROL OPTION AVAILABLE ON THE MODELS LISTED BELOW:

Round	Rect.	Maximum Area	'A'	'B'	Max. Dia.	UL 555 Rating
5600	5660	113 SQ. IN.	10"	10"	12"	2 HOURS
5610	5680	576 SQ. IN.	24"	24"	24"	3 HOURS

**NOTES:**

1. Dampers are made 3/16" smaller than 'A' & 'B' Dimensions, & 1/8" smaller than Diameter ordered.
2. \* Also see UL installation instruction sheet (Lay-In-II) provided with shipments.
3. Consult UL fire resistance directory for additional information, definition and purpose of ceiling dampers, resistance ratings and use in particular ceiling assemblies.

**REPRESENTED BY**

**MANUFACTURED BY**  
**PERFECT AIR CONTROL, INC.**  
 1310 N. HERCULES AVE. CLEARWATER, FL 33765  
 CUSTOMER SERVICE (800) 437-6653 \* ORDER ENTRY FAX (727) 431-6074  
[www.prefco-hvac.com](http://www.prefco-hvac.com)