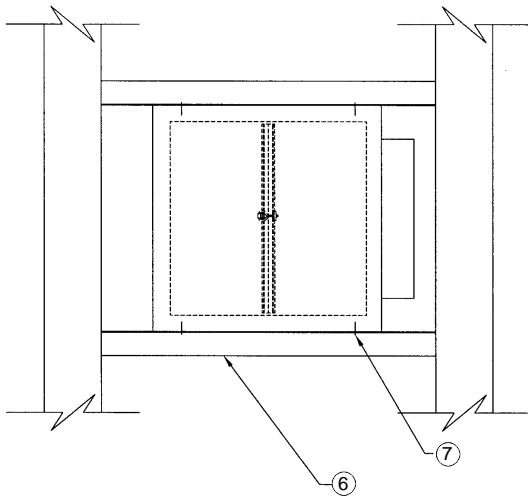
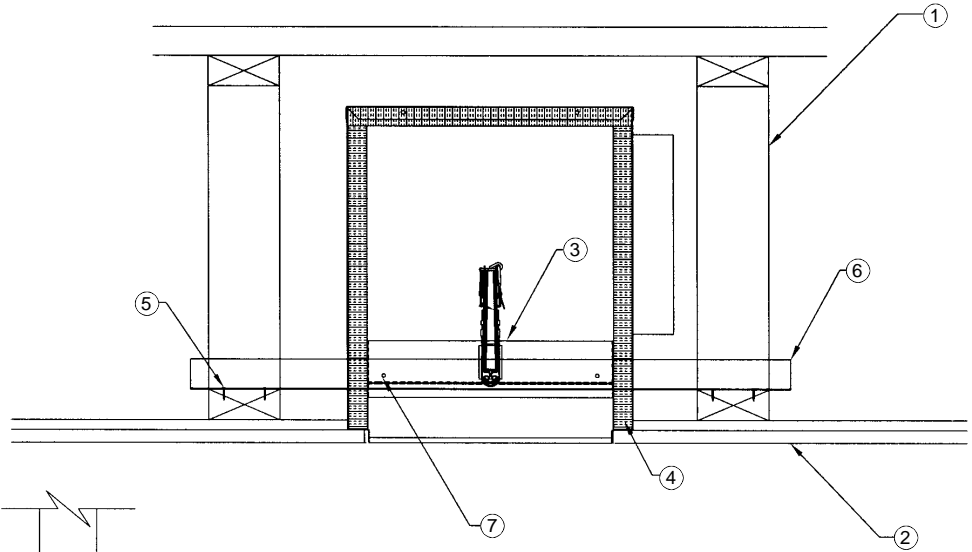




# Supplemental Installation Instructions For Models 5660 & 5680 Ceiling Radiation Dampers For Use In Wood And Gypsum Construction Partitions



1 Hour rated for use in UL Floor/  
Ceiling design numbers: L-521,  
L-528 and L-546 and UL Roof/  
Ceiling design number P-522.

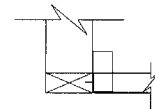


## Item Description

1. Floor or Ceiling Trusses
2. Ceiling Gypsum Board
3. Model 5660/5680 Ceiling Radiation Damper (UL555C) in Insulated Grille Box assembly
4. 1" Fiberglass Insulation (R4.2)
5. 6d Nail or #8 Screw (8)
6. 1" x 1½" 20 Ga. Galv. Mounting Angle (2)
7. #8 Sheet Metal Screw (4 min.)

### Mounting Option 1

90° Angle Mounting Option



### Mounting Option 2

12 Ga. Wire Mounting Option



## NOTES:

1. Measure spacing between framing members and cut the mounting angles (two required) to that length plus 6".
  - Option 1 - Cut the 1½" side of each mounting angle approximately 3 inches from each end of the mounting angle and bend angle up 90° at both ends as shown in detailed view above. Attach angles to wood frame with a minimum of two each #6 penny nails or #8 screws.
  - Option 2 - Use 12 gauge wire and the integrated hanger brackets.
2. Position the box at the correct location for gypsum installation.
  - Standard & Option 1 - Fasten the damper assembly to the angles with a minimum of (2) #8-#10x3/4" screws, 3/16" rivets or spot welds for each angle, ensuring the fastener does not interfere with the damper operation
  - Option 2 - Use 12 gauge wire to secure the box from structural members.
3. Mounting angles are fastened to the joists or other structural members with a minimum of (2) fasteners for each mounting location using #6 common nails or #8-#10x1-1/4" screws.
4. The clearance between each side of the ceiling damper and the duct drop shall be a maximum of 1/8".
5. Steel or aluminum grille or diffuser to be attached to the duct drop or ceiling damper using #8x1½" sheet metal screws at a minimum of (4) locations, ensuring the fastener does not interfere with the damper operation.

REPRESENTED BY

MANUFACTURED BY  
PERFECT AIR CONTROL, INC.  
1310 N. HERCULES AVE. CLEARWATER, FL 33765  
CUSTOMER SERVICE (800) 437-6653 \* ORDER ENTRY FAX (727) 431-6074  
www.prefco-hvac.com