



# Installation Instructions For 5500 Series Models (D)E2-A, (D)E4-A, (D)BF-3 & (D)E6-LPB Vertical & Horizontal Fire Dampers Static & Dynamic (D) Systems

These Instructions Typify Both Horizontal And Vertical Installations Except As Noted,  
And Apply Also To Masonry And Drywall Construction (see also Sheet GENII-2)

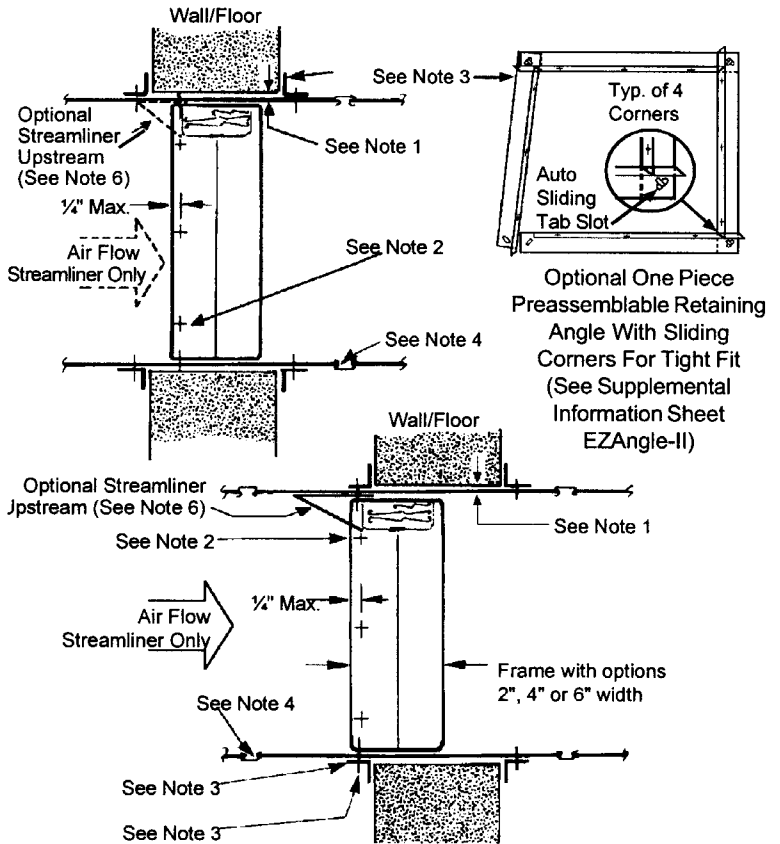
Rated per UL555, UL File R6189

**NOTES:**

1. Minimum clearance between the wall/floor opening and the damper/sleeve assembly shall be 1/16" per foot of width and height. Mounting angles shall overlap opening by 3/4" minimum on all sides.
2. The damper frame may be fastened to the sleeve using any of the following: 3/16" steel rivets, #14 sheet metal screws, #8 bolts and nuts or 1/2" tack welds spaced at a maximum of 8" center to center for 1-1/2 hour rated dampers and 6" maximum center to center for 3 hour rated dampers. A minimum of one fastener per side must be used. On multiple section damper assemblies of 4 or more sections that also have a 4 corner interior joint, all the interior joining must use 2 rows of fasteners.
3. Mounting retainers optional on both sides of the wall/floor opening and must be used on all 4 sides of the damper/sleeve assembly (exceptions noted). Minimum mounting retainer size is 1"x1"x18 gauge up to 18" and 1-1/2"x1-1/2"x18 gauge for vertical dampers up to 72" width or height. 1"x1"x16 gauge and 1-1/2"x1-1/2"x16 gauge for horizontal dampers. 2"x2"x18 gauge is used for larger dampers. Mounting retainers are to be attached to the damper/sleeve assembly using any of the following: 3/16" steel rivets, #14 sheet metal screws, #8 bolts and nuts or 1/2" tack welds spaced at a maximum of 12" center to center for 1-1/2 Hour rated dampers and 6" maximum center to center for 3 hour rated dampers. A minimum of one fastener per side must be used. Fasteners must not interfere with blade operation.
4. As per UL555, for rigid joints the thickness of the sleeve shall be a minimum of .053 inch for uncoated steel and .056 inch for coated steel with dimensions not exceeding 24 inches in height or 36 inches in width, and a minimum of .067 inch for uncoated and .070 for coated steel for larger size dampers. **EXCEPTION:** This requirement does not apply when one or more UL approved breakaway joints are used as the connection between the sleeve and ducts. In this case, the sleeve thickness shall not be less than that required by the Standard for the Installation of Air-Conditioning and Ventilating Systems, NFPA 90A. For Ductmate Type connections, a modified 4 bolt system may be used. See Sheet GENII-3 for details.
5. Combination slip joint/mounting angles may be used in lieu of standard angles. They must be installed on both sides of the wall/floor opening and must be used on all 4 sides of the damper/sleeve assembly. Minimum angle size is 1-7/8"x1-1/2"x21 gauge for dampers up to 72" width or height. The combination slip joint/mounting angles may be fastened to the damper/sleeve assembly using either 3/16" steel rivets, or #14 sheet metal screws spaced at a minimum of 12" center to center through 3 thicknesses of metal. A minimum of one fastener per side must be used.
6. Optional 26 gauge metal formed streamliner for air flow function by manufacturer. Sandwich streamliner between damper and sleeve/duct using the mounting angle-sleeve-damper fasteners. When installed, the streamliner will not interfere with the blade package.
7. When Model E2-A is used in a transfer grill or duct outlet application, fabricate sleeve as shown. Fasten the damper frame to the sleeve by 1/2" long tack welds spaced at a maximum of 8" center to center. Install grills or mounting angles and fasten per Note #3 above. The sleeve may be flanged on one side in lieu of mounting angles if the sleeve is a minimum of 14 gauge and the flange overlaps the wall/floor opening by 3/4" minimum. In horizontal mounting, the integral flange must be on top of the floor opening.

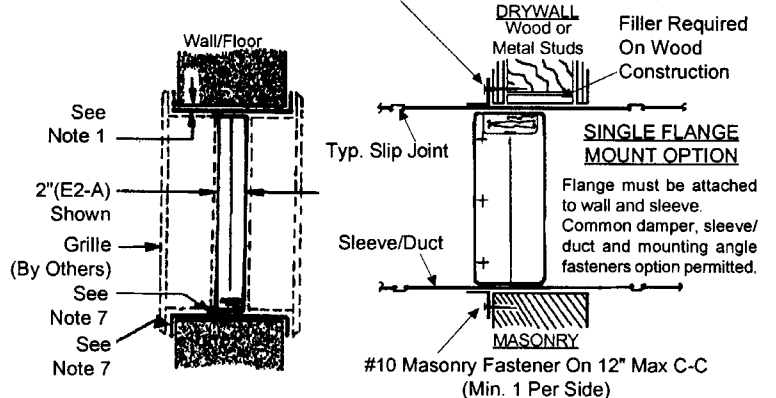
**Instructions for Installations WITH Sleeves**

No additional sleeve is required when the damper is installed in duct of 20 gauge or less and a UL approved breakaway connection is used.



Optional One Piece  
Preassembled Retaining  
Angle With Sliding  
Corners For Tight Fit  
(See Supplemental  
Information Sheet  
EZAngle-II)

#10 Wood or Metal Screw Fastener On 12" Max C-C (Min. 1 Per Side)  
(Flange can also be in between DRYWALL & framing)



**REPRESENTED BY**

**MANUFACTURED BY  
PERFECT AIR CONTROL, INC.**

1310 N. HERCULES AVE. CLEARWATER, FL 33765  
CUSTOMER SERVICE (800) 437-6653 \* ORDER ENTRY FAX (727) 431-6074  
[www.prefco-hvac.com](http://www.prefco-hvac.com)